

**DESCRIPTION:**

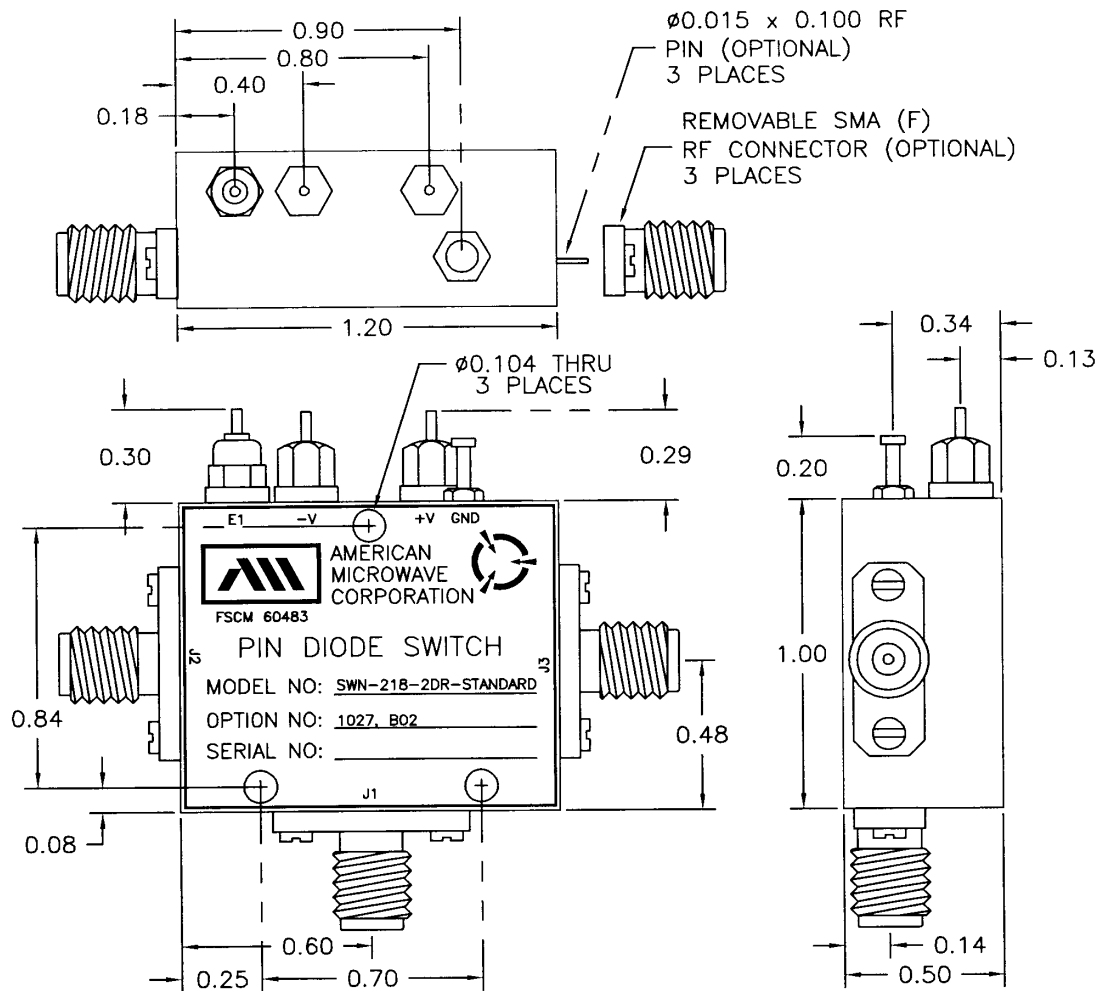
AMC MODEL NUMBER SWN-218-2DR-STANDARD IS A SINGLE POLE DOUBLE THROW, REFLECTIVE SWITCH MODULE WITH LOW ISOLATION AND INTEGRAL TTL DRIVER DESIGNED FOR THE 10 GHz TO 27 GHz FREQUENCY BAND.

REVISONS		DATE	APPROVED
ZONE	REV.	DESCRIPTION	
-	-	ORIGINAL RELEASE, JOB# 003039E	11/11/03

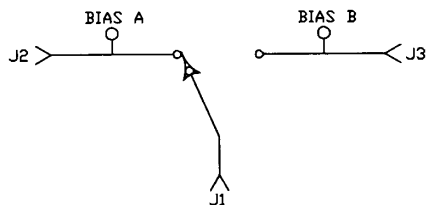
**SPECIFICATIONS:**

- FREQUENCY: 10 GHz TO 27 GHz
- INSERTION LOSS: 4.5 dB MAXIMUM
- ISOLATION: 40 dB MINIMUM  
50 dB TYPICAL
- VSWR: REFLECTIVE IN/OUT: 2.0:1
- SPEED: RISE: 15 nS MAXIMUM  
FALL: 15 nS MAXIMUM  
DELAY ON: 100 nS MAXIMUM  
DELAY OFF: 100 nS MAXIMUM
- POWER INPUT: (CW)+20dBm (STANDARD), +10 dBm (HIGH SPEED)
- SURVIVAL POWER: 1 WATT CW, 10 WATTS PEAK 1 usec
- CONTROL: TTL LOGIC "0"= J1-J2 ON "1"= J1-J3 ON
- POWER SUPPLY: +5V @ 100 mA MAXIMUM  
-15V @ 100 mA MAXIMUM
- CONNECTORS: RF: SMA FEMALE  
CONTROL: SOLDER PIN
- SIZE: 1.20" (L) x 1.00" (W) x 0.50" (H)
- WEIGHT: 1.5 OUNCE TYPICAL

**MECHANICAL OUTLINE**



**BLOCK DIAGRAM**



**CONFIDENTIAL AND PROPRIETARY**

**ENVIRONMENTAL RATINGS:**

- TEMPERATURE: -55°C TO +85°C (OPERATING)  
-65°C TO +125°C (STORAGE)
- HUMIDITY: MIL-STD-202F, METHOD 103B COND. B
- SHOCK: MIL-STD-202F, METHOD 213B COND. B
- VIBRATION: MIL-STD-202F, METHOD 204D COND. B
- ALTITUDE: MIL-STD-202F, METHOD 105C COND. B
- TEMPERATURE CYCLE: MIL-STD-202F, METHOD 107D COND. A

NOTE: THE ABOVE SPECIFICATIONS ARE SUBJECT TO CHANGE OR REVISION

ALL DIMENSIONS ARE IN INCHES  
TOLERANCES:

- X.XX ±0.020
- X.XXX ±0.010

APPROVALS		DATE	AMERICAN MICROWAVE CORPORATION FREDERICK, MARYLAND	
DRAWN		11/11/03	TITLE PRODUCT FEATURE SWN-218-2DR-STANDARD OPTIONS 1027, B02	
CHECKED			SIZE	REV.
ISSUED			A	-
			FSCM NO.	DWG NO.
			60483	100-6843
			SCALE	SHEET
			N/S	1 of 3